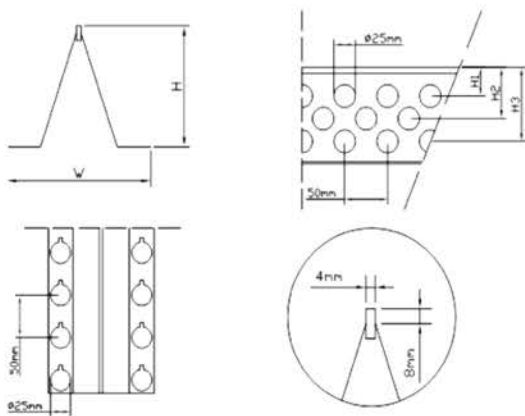


C45 – CombiForm Screed Rail



- Minimum slab depth:
 $45 + 1,5 \times \text{max stone diameter} = \dots\dots\dots \text{mm}$
 (i.e. $45 + 1,5 \times 16 = 69 \text{ mm} \Rightarrow$ minimum 69 mm slab depth))
 Recommended max slab depth: 90 mm
- Material: Steel 1 mm thick & PE plastic strip
- True Joint – Dowel bar holder/alignment
- Form system
- Crack allocation control
- Easy and accurate levelling
- Static load capacity 200 kg (support c-c 1100 mm)
- Temperature range -30°C - +80°C

Art.no	H(mm)	W(mm)	H1(mm)	H2(mm)	H3(mm)	Length(mm)	Weight/rail (kg)
23C4535	45	90	30	--	--	3500	3,1
23C4522	45	90	30	--	--	2200	2,0

Recommended accessories

- Locking clips for reinforcing and assuring height of the profile (included in std 35 m box)
- Adjustment screws for easy and quick alignment
- Ground plate to ensure stable support
- Top Extender, 30 mm, for extra thick concrete layer &/or design.
- Adjustment tool for easy levelling

